

PPC-104P

www.ling-jiang.com

IP65 Stainless Steel Fanless 10.4 inch Industrial High Brightness Panel PC with Intel Atom N2800



Features

- Fanless Design
- High Luminance LCD Panel (400 nits)
- Intel® Atom™ N2800 1.86GHz Processor
- 10.4 XGA 800 x 600 Resolution Color TFT LCD Display
- Ultra Slim and Compact Mechanical Design
- Supports Wide Range DC Power Input 9-30V
- Intel® SATA SSD Compatible
- supports 3G/WIFI/HDMI

System

| | |
|-----------------------|--|
| CPU | Soldered onboard Intel® Atom™ N2800 1.86GHz |
| Memory | Onboard 2Gb RAM +1xDDR3 1066/1333MHz SDRAM |
| Chipset | Intel® Atom N2800+NM10 |
| LAN | 2 x Realtek RTL8111C Gigabit Ethernet controller |
| Watchdog Timer | 1~255 levels reset |

Storage

| | |
|-------------|---------------------------------|
| Type | 1 x 2.5" drive bay for SATA SSD |
|-------------|---------------------------------|

LCD Display

| | |
|------------------------|--------------------------|
| Size/Type | 10"4 TFT LCD Panel |
| Max. Resolution | 800 x 600 |
| Max. Colors | 16.2M |
| Luminance | 400 cd/m ² |
| Touch Screen | 5-wire, Analog Resistive |

Power System

| | |
|--------------------|----------|
| Power Input | DC 9-30V |
|--------------------|----------|

Certification

| | |
|------------------|---------------|
| EMC / EMI | CE / FCC/RHOS |
|------------------|---------------|

External I/O

| | |
|---------------------|---|
| Serial Ports | 4 x COMs (1xRs485/ 3xRS232) |
| USB Ports | 4 x USB ports |
| LAN | 2 x LAN RJ-45 connector |
| DC Power In | 1 x 2-pin connector |
| Video Port | 1 x VGA, 1xHDMI female connector for Digital Video Output |

Internal Sockets & Connectors

| | |
|----------------------|---|
| Compact Flash | 1 x Compact Flash socket (reserved for OEM project) |
|----------------------|---|

Mechanical

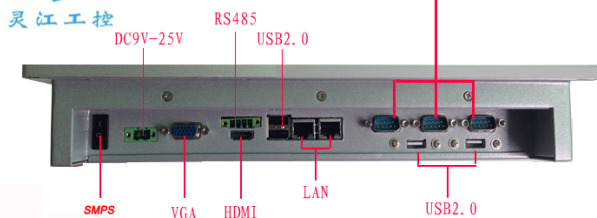
| | |
|------------------------------|-------------------------|
| Mounting Type | Embedded Installation |
| Dimension (W x D x H) | 376.5 x 303.5 x 53.0 mm |
| Weight (Net) | 4.88 kg |

Environmental

| | |
|---------------------------|--|
| Operating Temp. | -25-75 Temp |
| Storage Temp. | -40~80 Temp |
| Operating Humidity | 5 ~ 90% RH @40°C (non-condensing) |
| Vibration | 5 ~ 500Hz, 3Grms Random (with CF/SSD) |
| Shock | Operating 32G, 11ms & Non-operating 4G, 20ms (with CF/SSD) |

Ordering Information

| | |
|-----------------|--|
| PPC-150P | Intel® Atom™ N2800 Full IP65 industrial high brightness panel PC with 32GB SSD + DDR3 2G |
|-----------------|--|

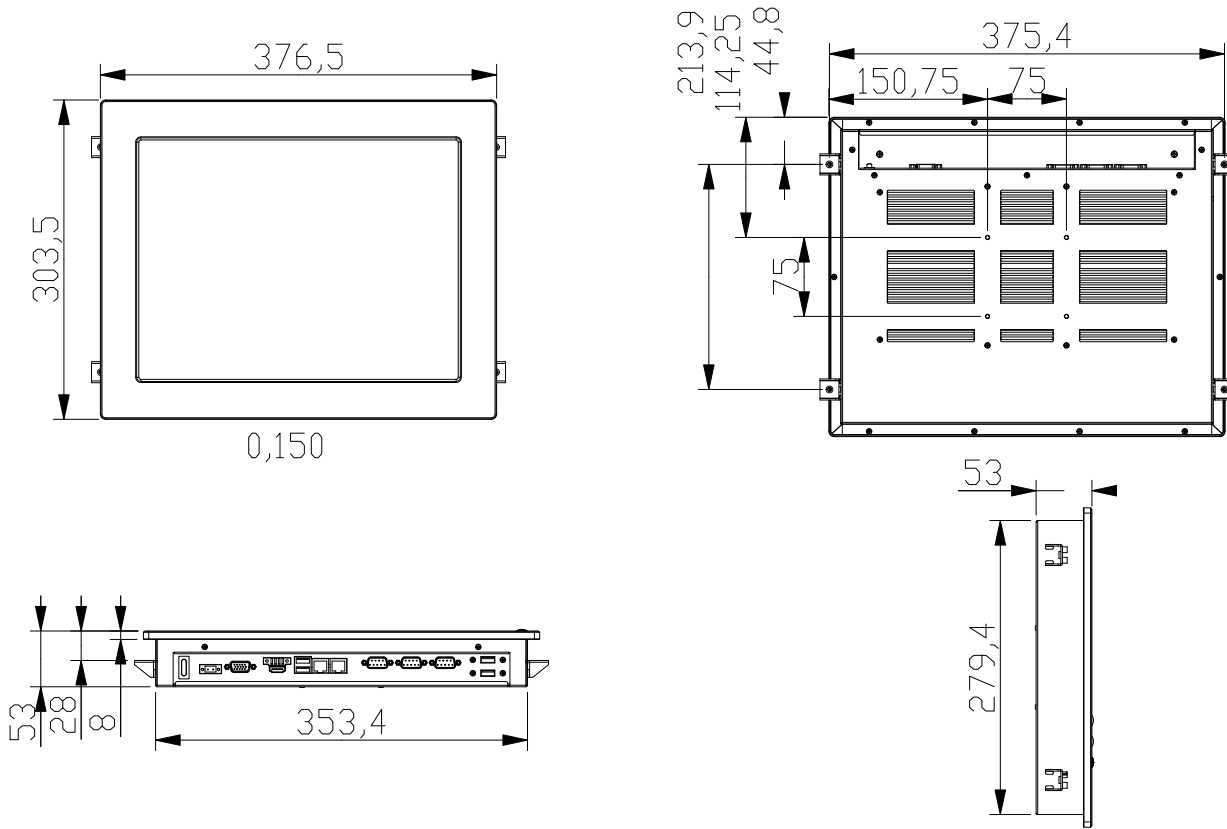


PPC-121P

www.ling-jiang.com



IP65 Stainless Steel Fanless 10.4 Industrial High Brightness Panel PC with Intel Atom N2800

Dimensions

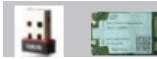


Unit: mm

Packing List

| | |
|---|--|
| Unit | Full IP65 Compliant 10.4" industrial high brightness panel PC |
| Driver CD | Operating system driver CD |
| AC/DC adapter kit |  Power Input 100 ~ 240 VAC Power Output DC 12V, 5A |
| SSD-25080 Intel 2.5 16B SATAII SSD kit |  Brand/Type Intel / 2.5 inch Interface SATAII Capacity 32GB Dimensions 100.45 x 69.85 x 9.5 mm (3.95" x 2.75" x 0.37") |

Accessory Options

| | |
|-------------|---|
| WiFi |  802.11 b/g/n WiFi module kit w/ 2dBi WiFi antenna & 15cm ² internal wiring |
|-------------|---|